



CULLET CONVEYOR HEAD TERMINAL ASSEMBLY

12" BELT WIDTH

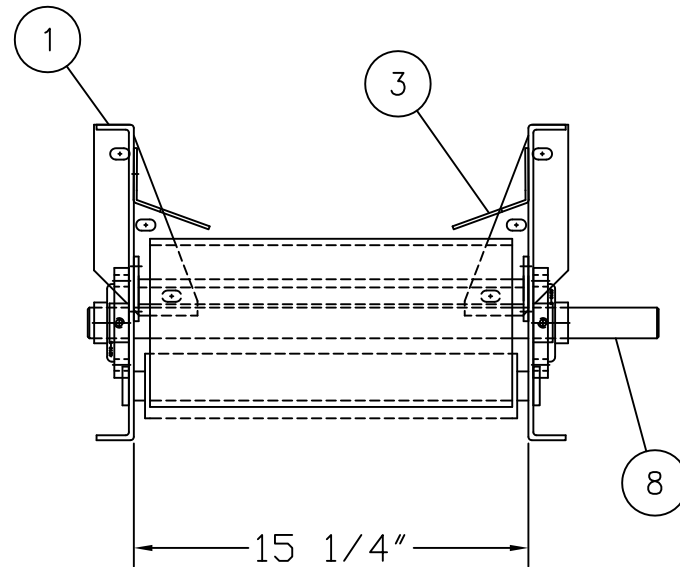
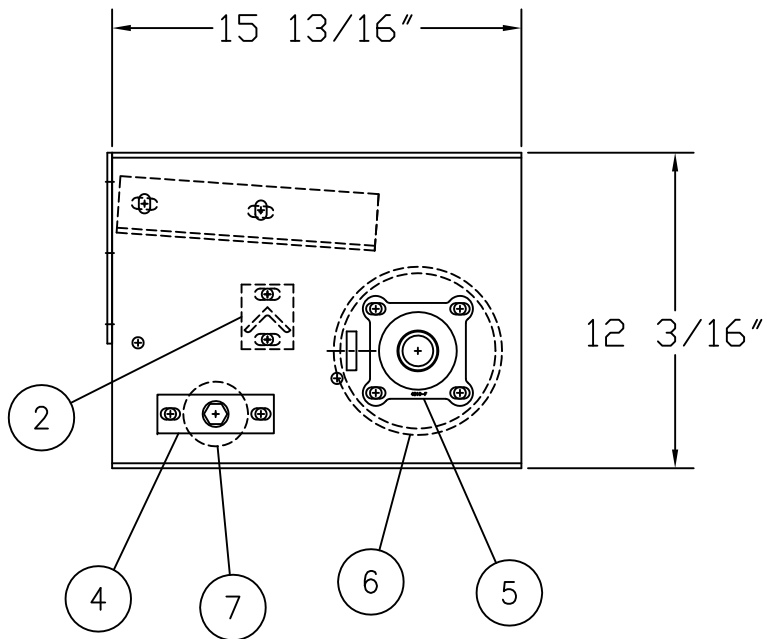
AVAILABLE WITH

6" DIA PULLEY (00B30520)

8" DIA PULLEY (00B30525)

PART NO: 00B30520
 CULLET CONVEYOR HEAD TERMINAL ASSEMBLY
 6" DIAMETER PULLEY
 12" BELT WIDTH

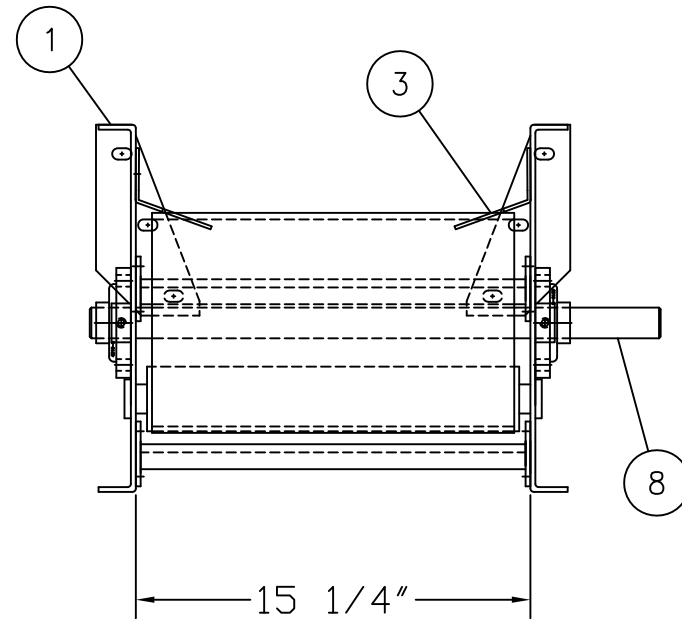
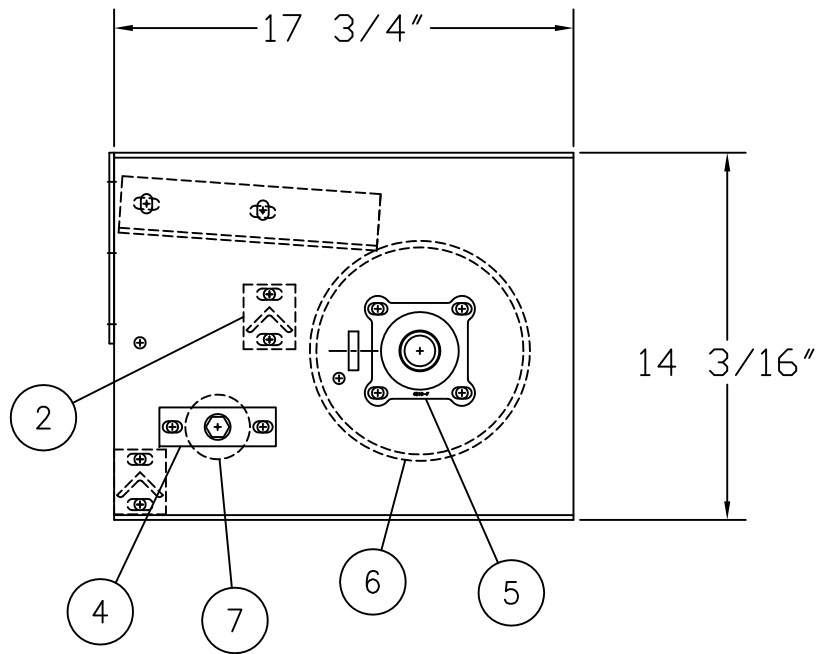
ITEM	PART NO.	DESCRIPTION	QTY.
1	01B30020	TERMINAL PLATE	2
2	01B30059	ANGLE CROSS TIE	1
3	02B30320	TRANSITION GUIDE DRIVE TERMINAL	2
4	02B30310	KEEPER PLATE SNUB ROLL	2
5	05A99065	BEARING	2
6	05B30203	PULLEY	1
7	05B30863	12" BELT WIDTH SNUB ROLLER	1
8	02A30910	HEAD SHAFT	1



7620 EVERGREEN ST.
 LIMA, NY 14485
 (v) 585.624.7850 (f) 585.624.8015
 1.888.NECONVEY (1.888.632.6683)
 (e) conveyor@neind.com

PART NO: 00B30525
 CULLET CONVEYOR HEAD TERMINAL ASSEMBLY
 8" DIAMETER PULLEY
 12" BELT WIDTH

ITEM	PART NO.	DESCRIPTION	QTY.
1	01B30023	TERMINAL PLATE	2
2	01B30059	ANGLE CROSS TIE	2
3	02B30320	TRANSITION GUIDE DRIVE TERMINAL	2
4	02B30310	KEEPER PLATE SNUB ROLL	2
5	05A99067	BEARING	2
6	05B30253	PULLEY	1
7	05B30863	12" BELT WIDTH SNUB ROLLER	1
8	02A30915	HEAD SHAFT	1





CULLET CONVEYOR HEAD TERMINAL ASSEMBLY

18" BELT WIDTH

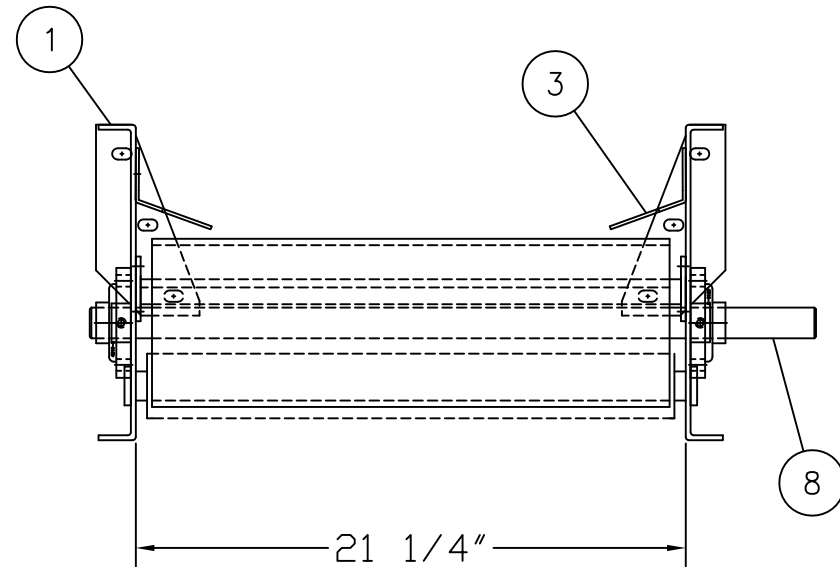
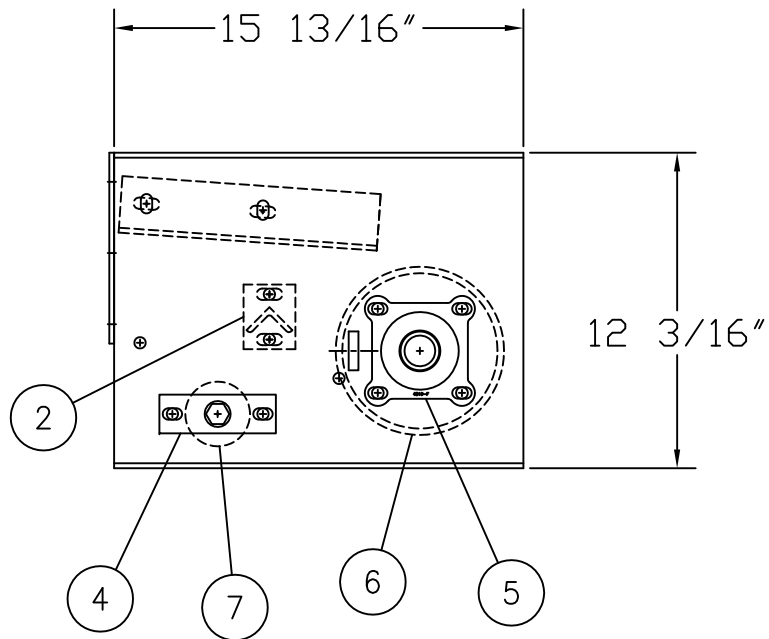
AVAILABLE WITH

6" DIA PULLEY (00B30620)

8" DIA PULLEY (00B30625)

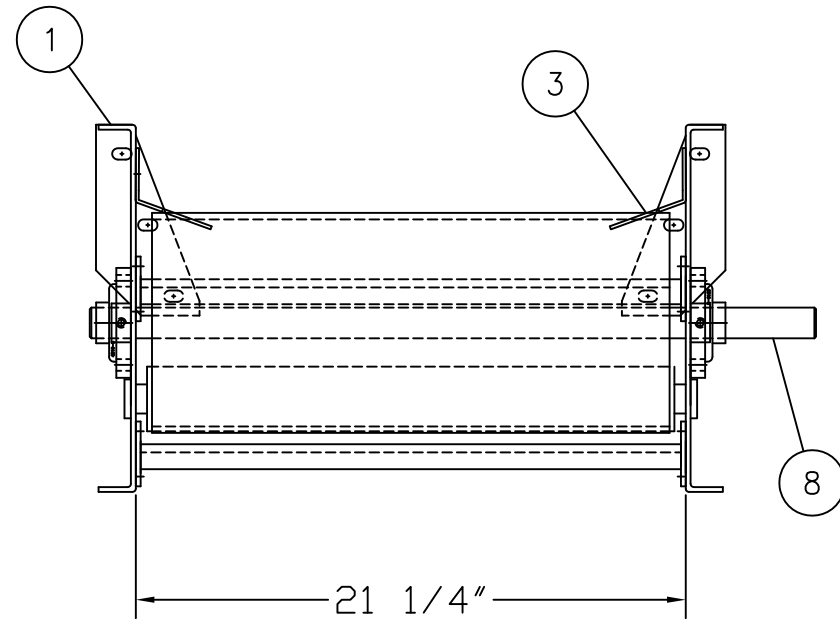
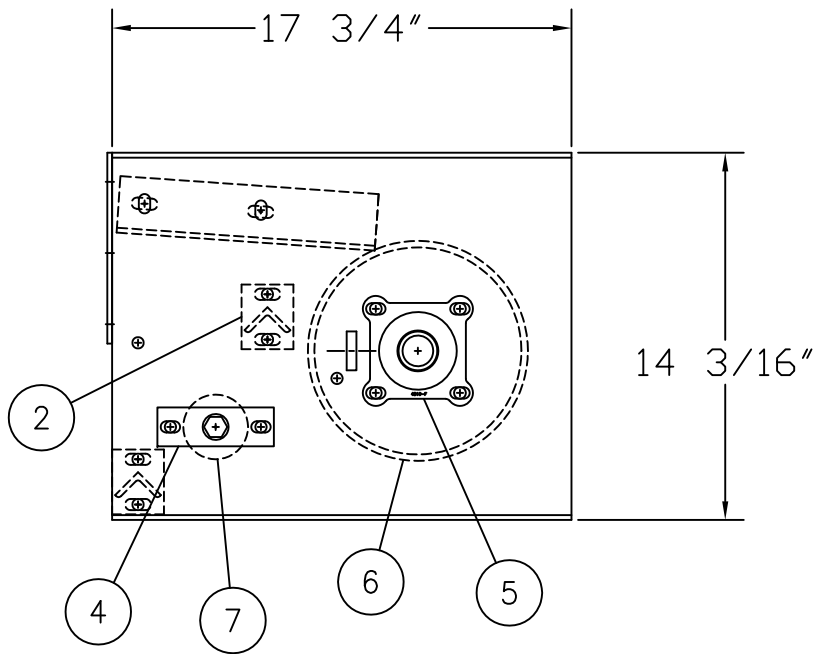
PART NO: 00B30620
 CULLET CONVEYOR HEAD TERMINAL ASSEMBLY
 6" DIAMETER PULLEY
 18" BELT WIDTH

ITEM	PART NO.	DESCRIPTION	QTY.
1	01B30020	TERMINAL PLATE	2
2	01B30065	ANGLE CROSS	1
3	02B30320	TRANSITION GUIDE DRIVE TERMINAL	2
4	02B30310	KEEPER PLATE SNUB ROLL	2
5	05A99065	BEARING	2
6	05B30209	PULLEY	1
7	05B30869	18" BELT WIDTH SNUB ROLLER	1
8	02A30920	HEAD SHAFT	1



PART NO: 00B30625
 CULLET CONVEYOR HEAD TERMINAL ASSEMBLY
 8" DIAMETER PULLEY
 18" BELT WIDTH

ITEM	PART NO.	DESCRIPTION	QTY.
1	01B30023	TERMINAL PLATE	2
2	01B30065	ANGLE CROSS TIE	2
3	02B30320	TRANSITION GUIDE DRIVE TERMINAL	2
4	02B30310	KEEPER PLATE SNUB ROLL	2
5	05A99067	BEARING	2
6	05B30259	PULLEY	1
7	05B30869	18" BELT WIDTH SNUB ROLLER	1
8	02A30925	HEAD SHAFT	1





CULLET CONVEYOR HEAD TERMINAL ASSEMBLY

24" BELT WIDTH

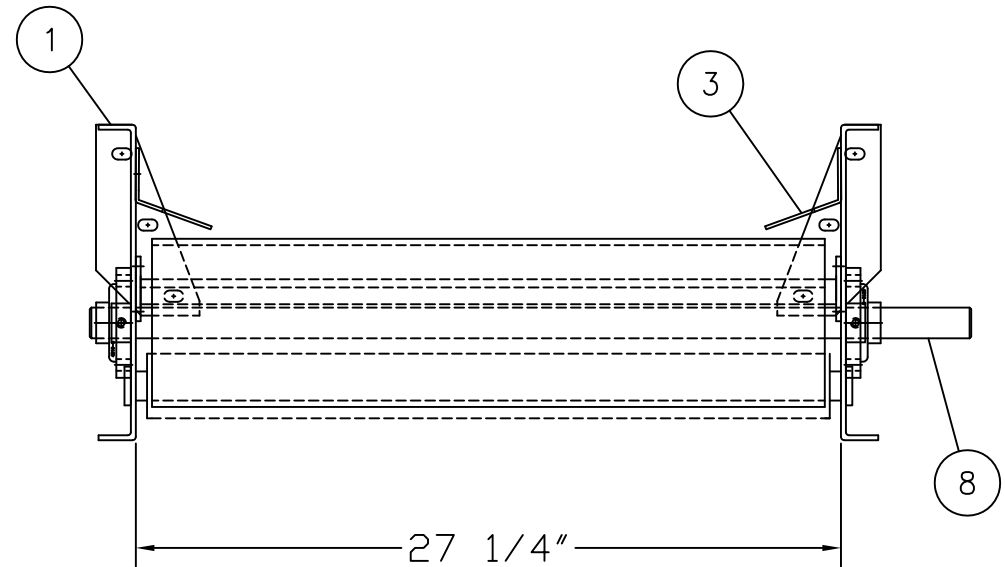
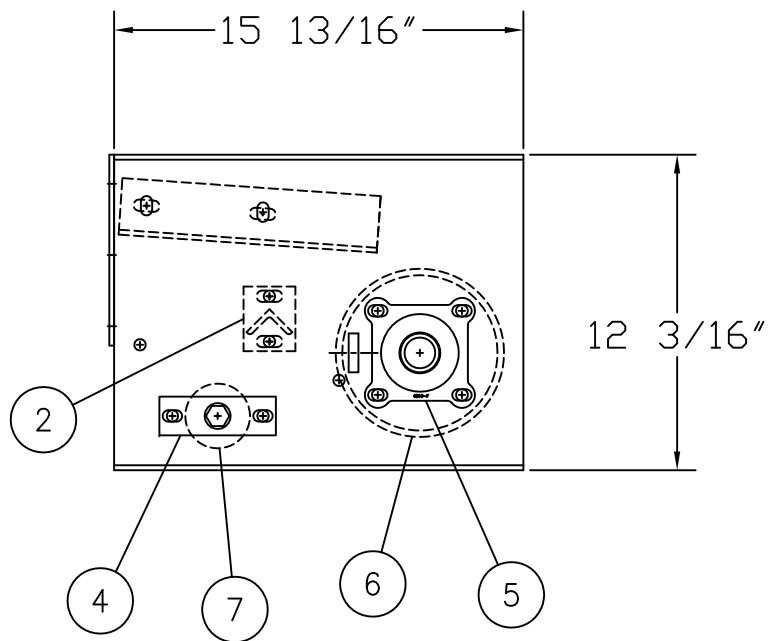
AVAILABLE WITH

6" DIA PULLEY (00B30720)

8" DIA PULLEY (00B30725)

PART NO: 00B30720
 CULLET CONVEYOR HEAD TERMINAL ASSEMBLY
 6" DIAMETER PULLEY
 24" BELT WIDTH

ITEM	PART NO.	DESCRIPTION	QTY.
1	01B30020	TERMINAL PLATE	2
2	01B30071	ANGLE CROSS	1
3	02B30320	TRANSITION GUIDE DRIVE TERMINAL	2
4	02B30310	KEEPER PLATE SNUB ROLL	2
5	05A99065	BEARING	2
6	05B30215	PULLEY	1
7	05B30875	24" BELT WIDTH SNUB ROLLER	1
8	02A30930	HEAD SHAFT	1



PART NO: 00B30725
 CULLET CONVEYOR HEAD TERMINAL ASSEMBLY
 8" DIAMETER PULLEY
 24" BELT WIDTH

ITEM	PART NO.	DESCRIPTION	
1	01B30023	TERMINAL PLATE	2
2	01B30071	ANGLE CROSS TIE	2
3	02B30320	TRANSITION GUIDE DRIVE TERMINAL	2
4	02B30310	KEEPER PLATE SNUB ROLL	2
5	05A99067	BEARING	2
6	05B30265	PULLEY	1
7	05B30875	24" BELT WIDTH SNUB ROLLER	1
8	02A30935	HEAD SHAFT	1

